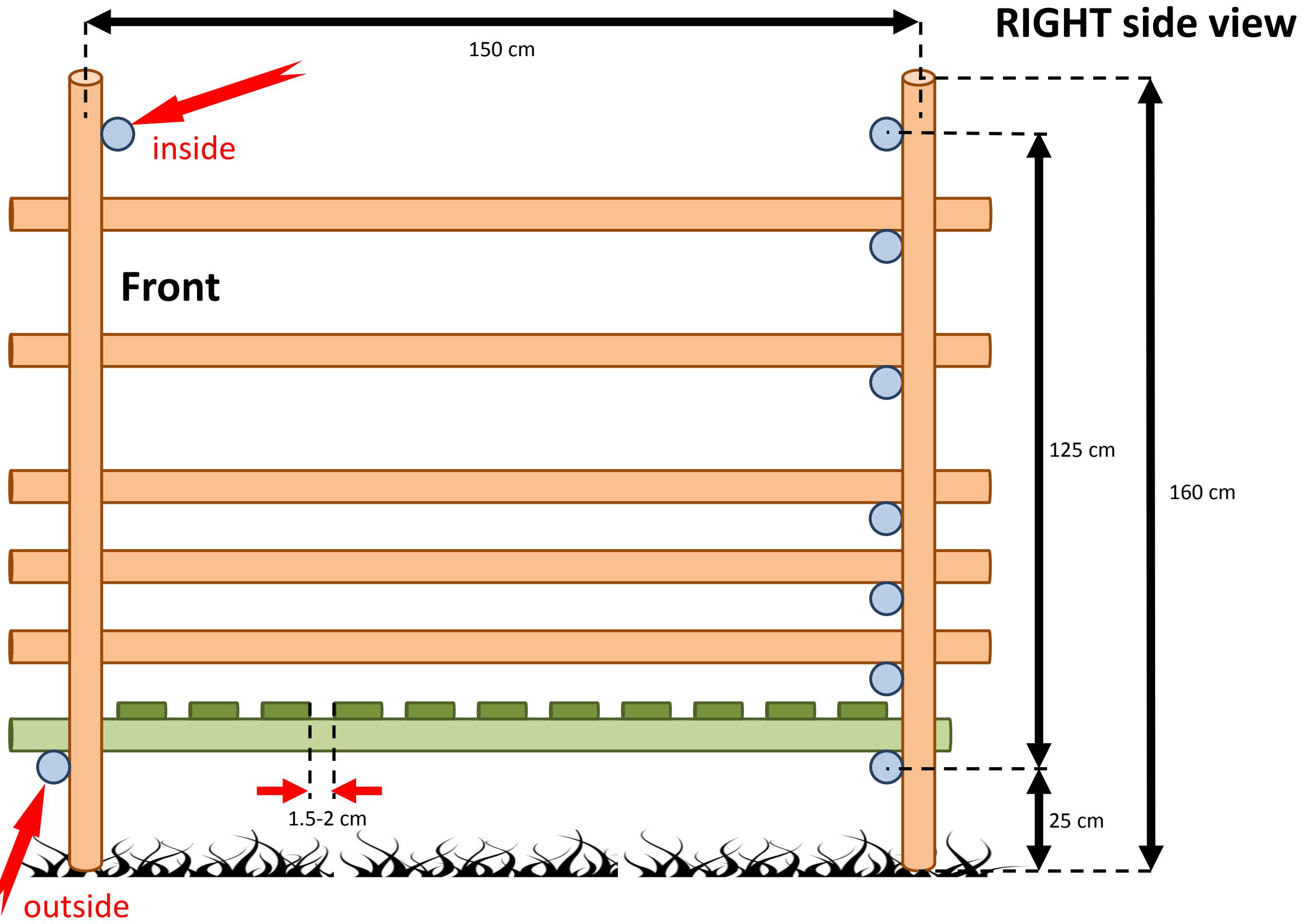


Front view inside

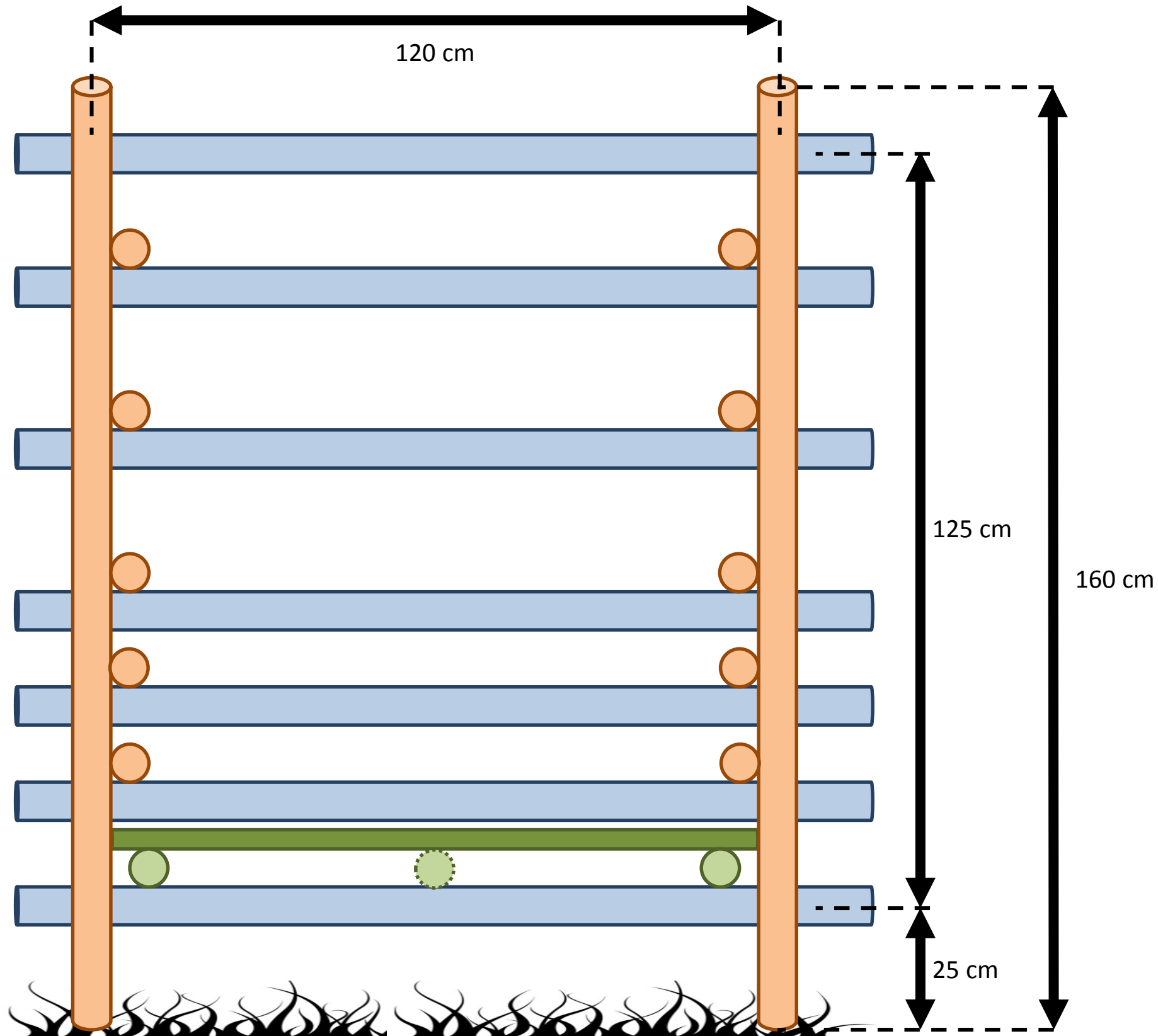
Low Cost Calf Pen

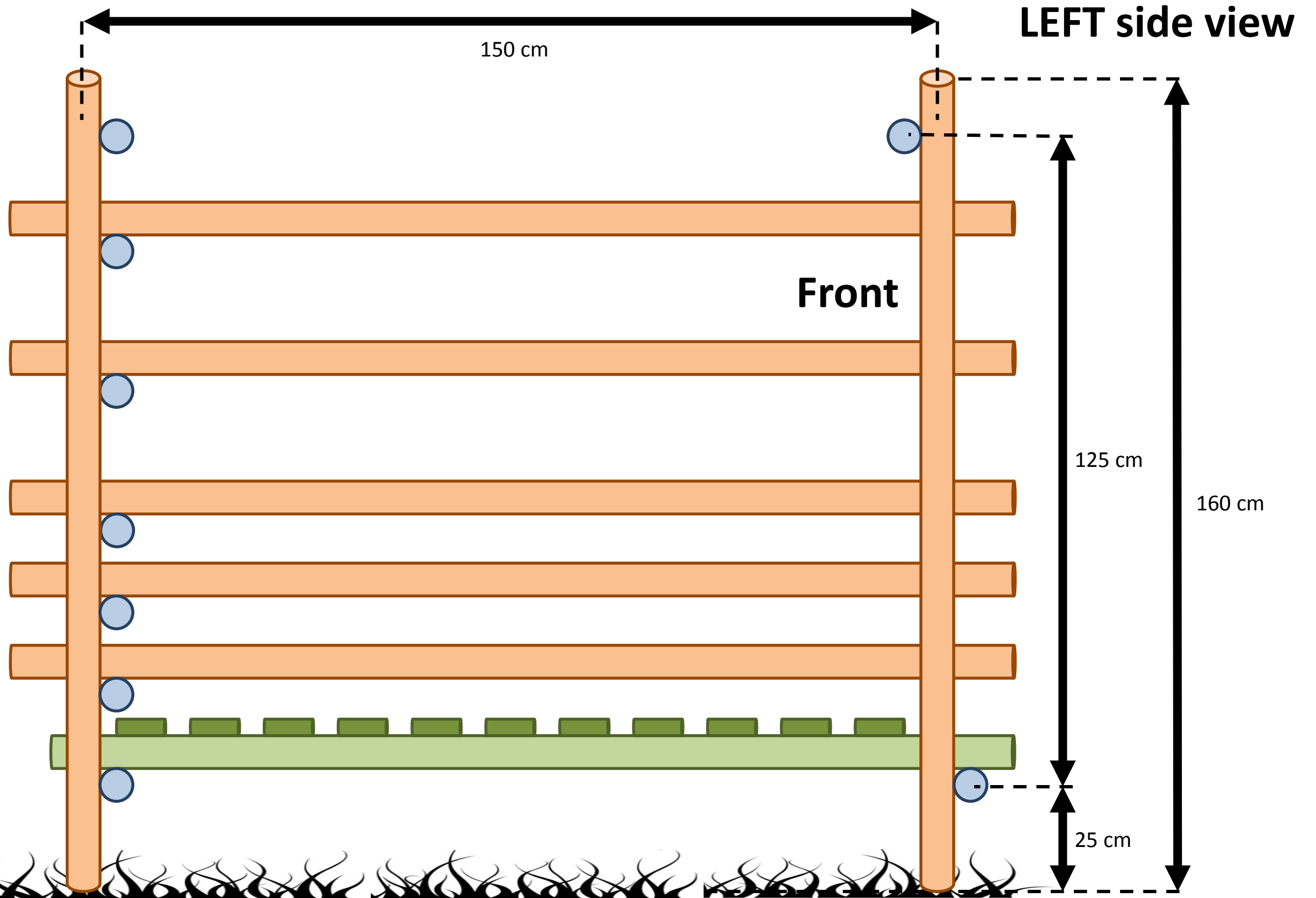
Requirements:

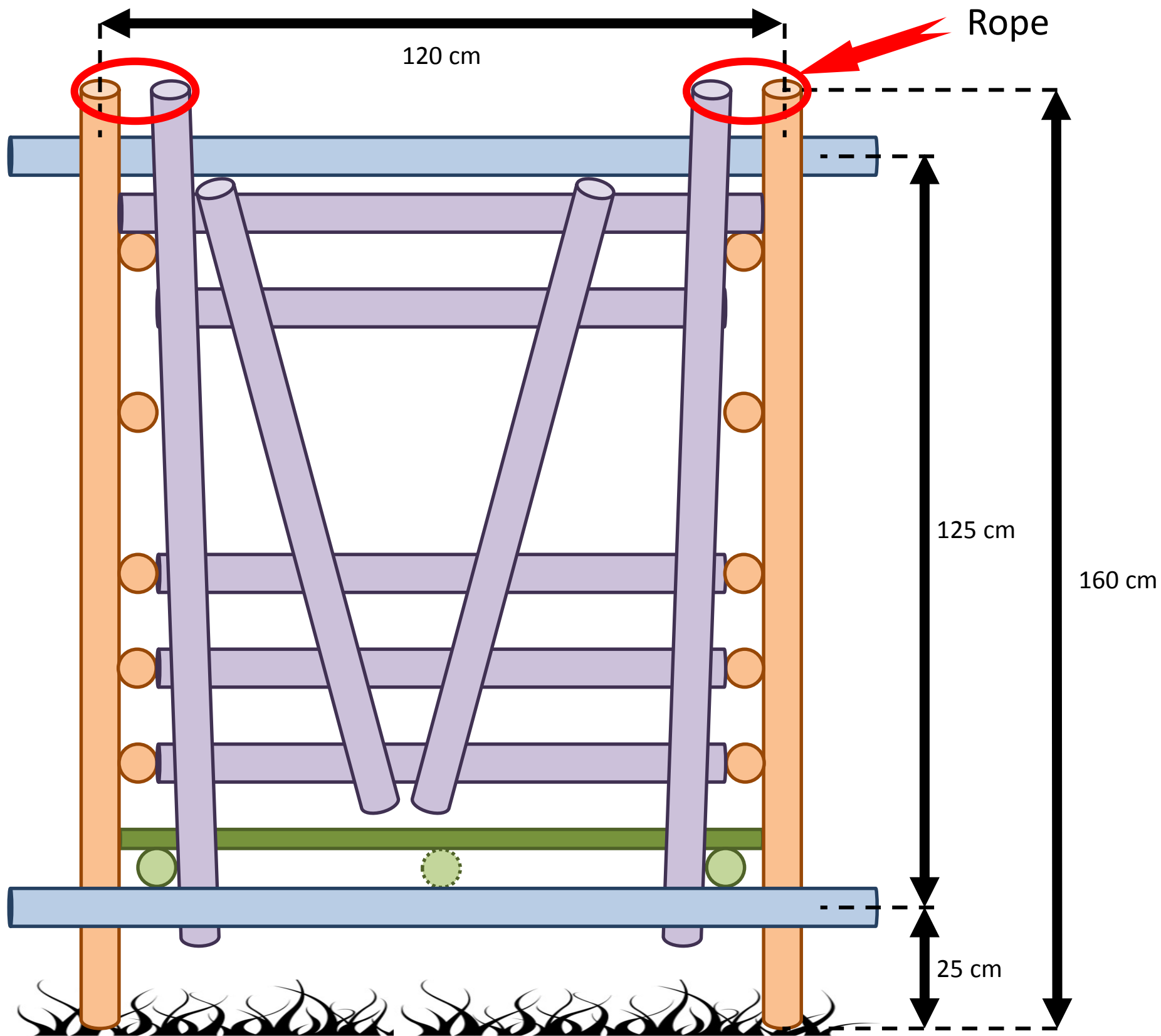
- Local round wood:
 - corner poles 7 cm
 - rest 5 cm across
- Nails (or screws) 8-9 cm long
- Wooden slats 2-2.5 x 7-8 cm
- 2 Rubber belts or some rope
- Chicken wire 50 x 100 cm
- Bucket
- Used cooking oil drum



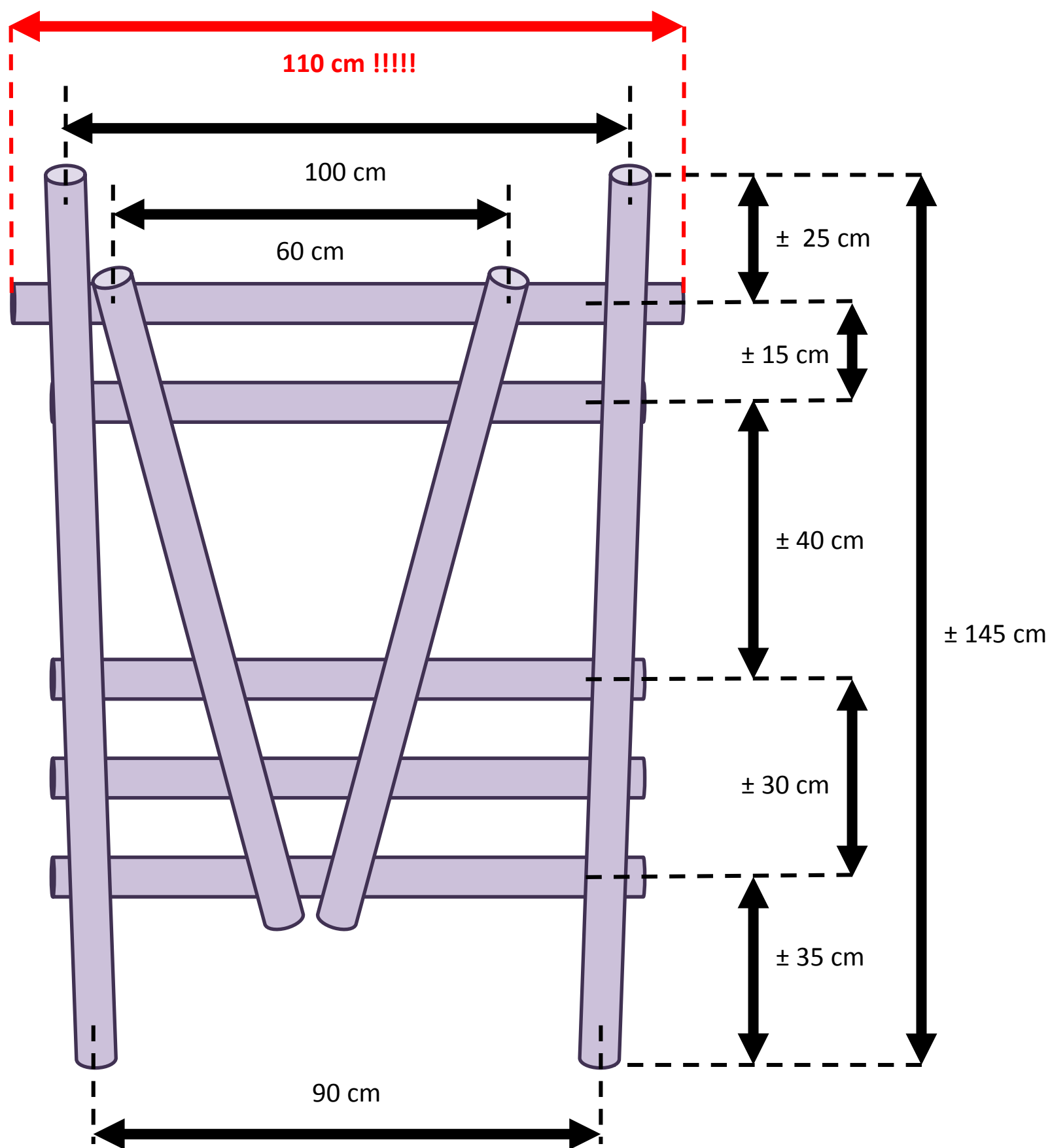
Back view





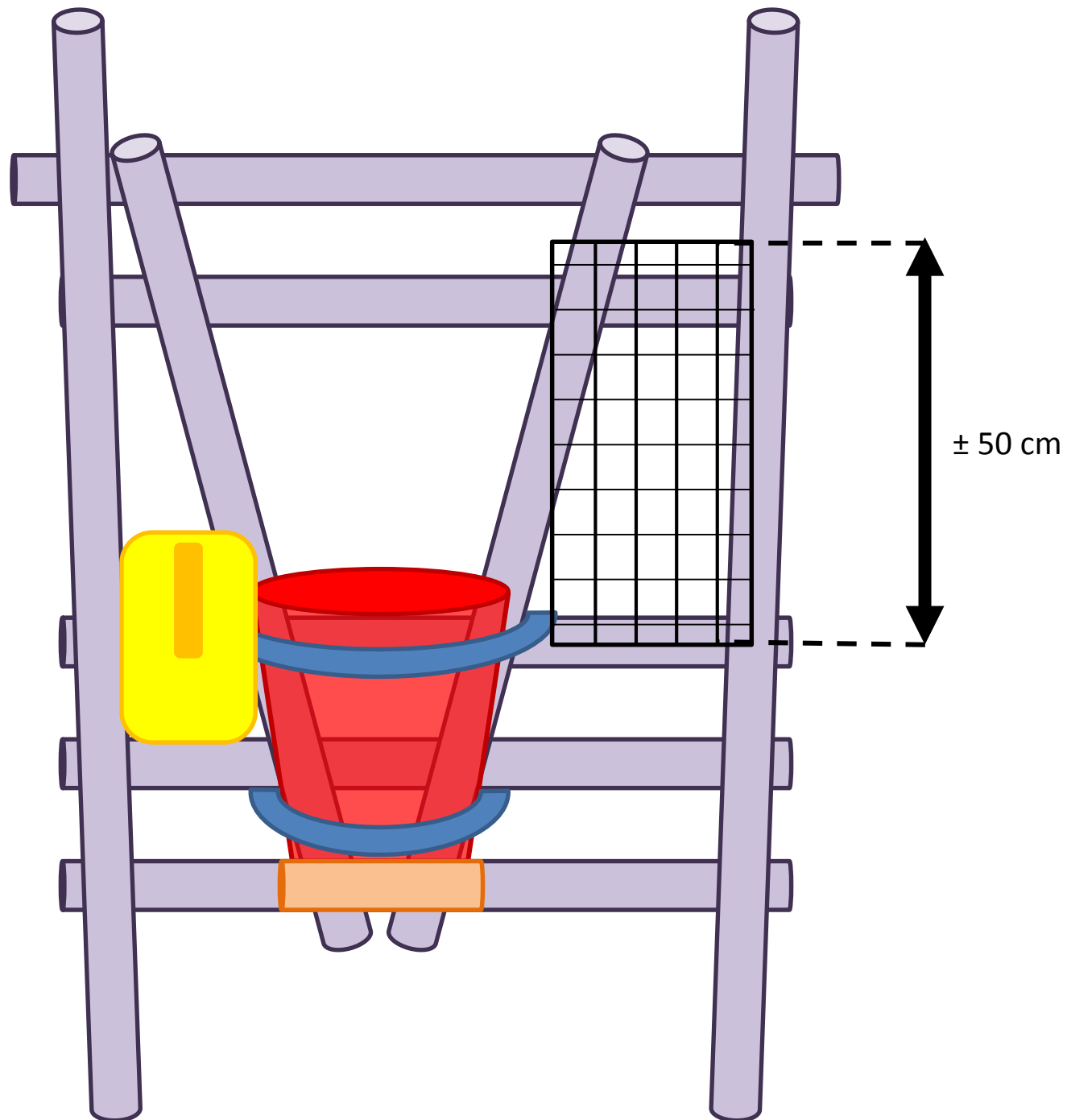


**Front view
outside**

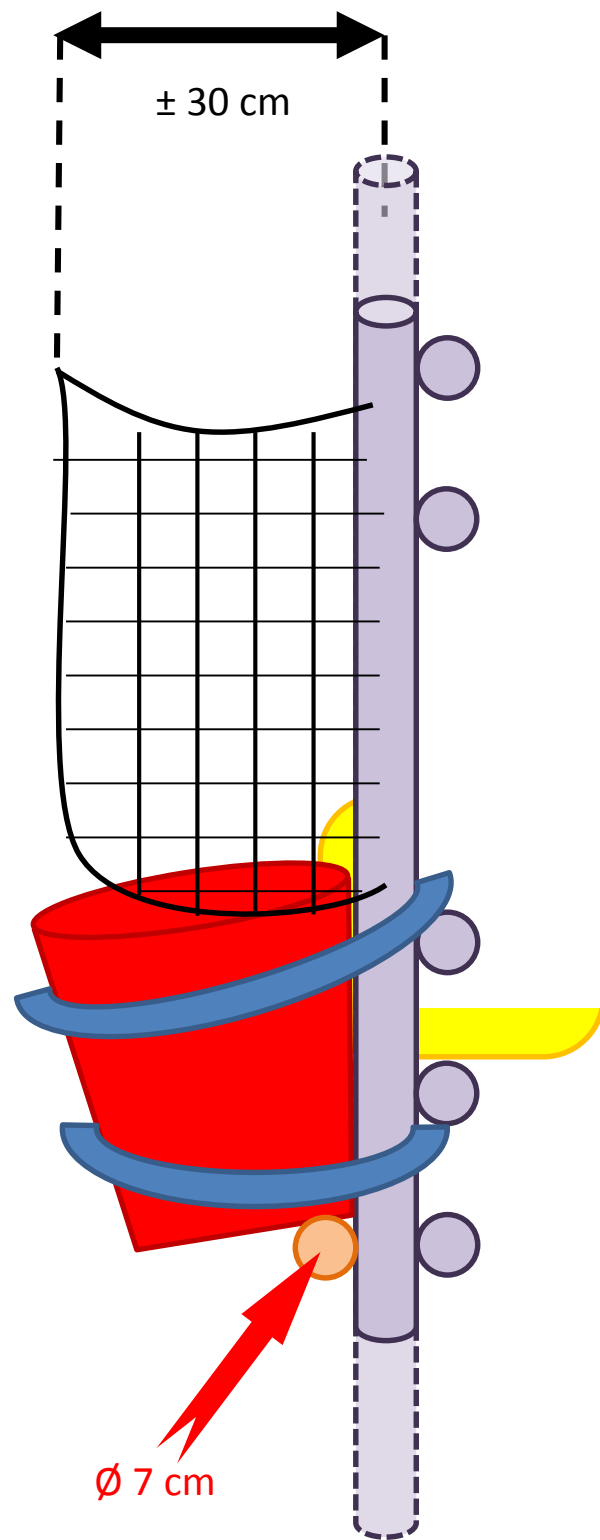


**View wood work
removable
front outside**

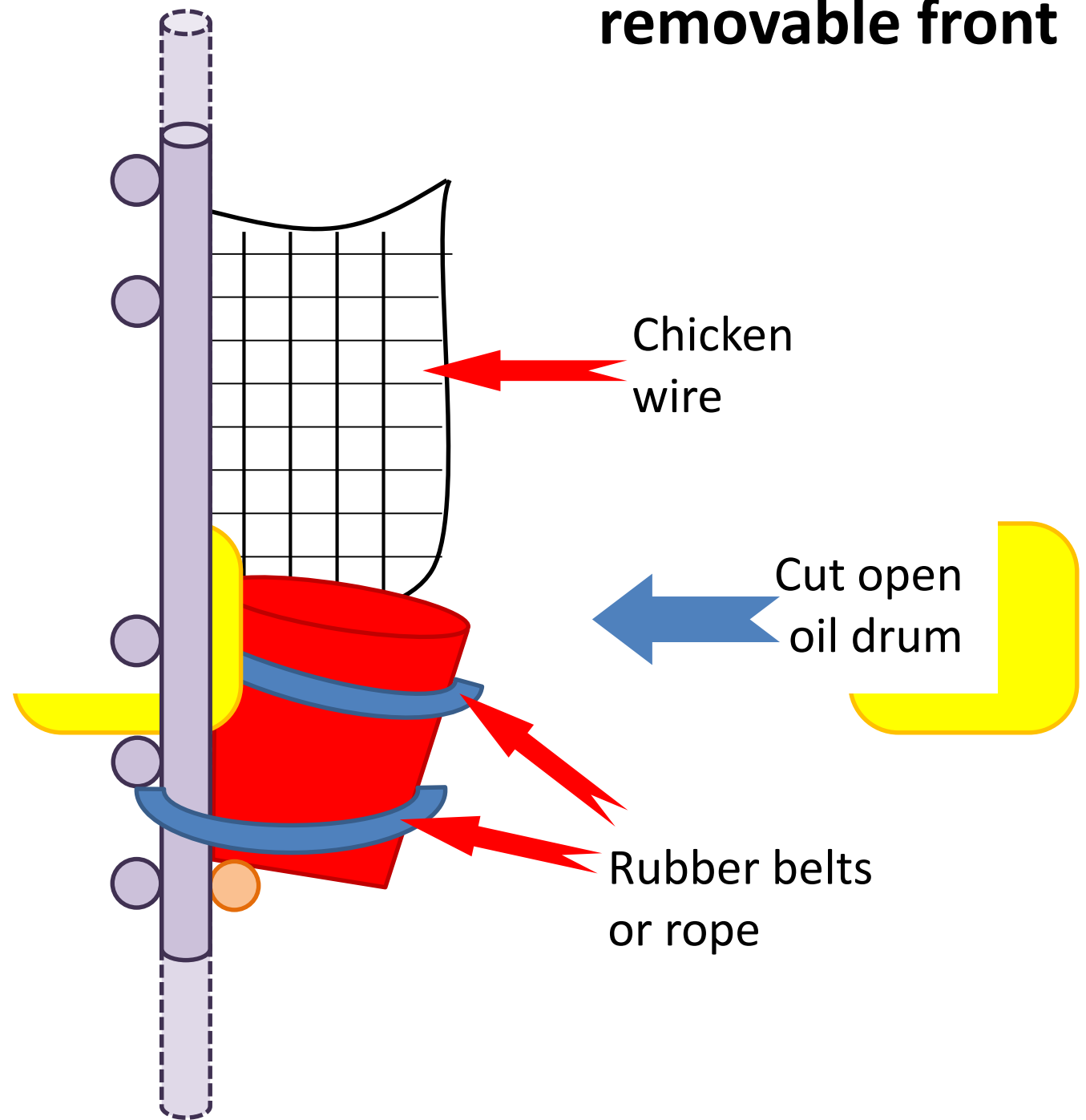
**Full view
removable
front outside**



Side views removable front



RIGHT



LEFT

